

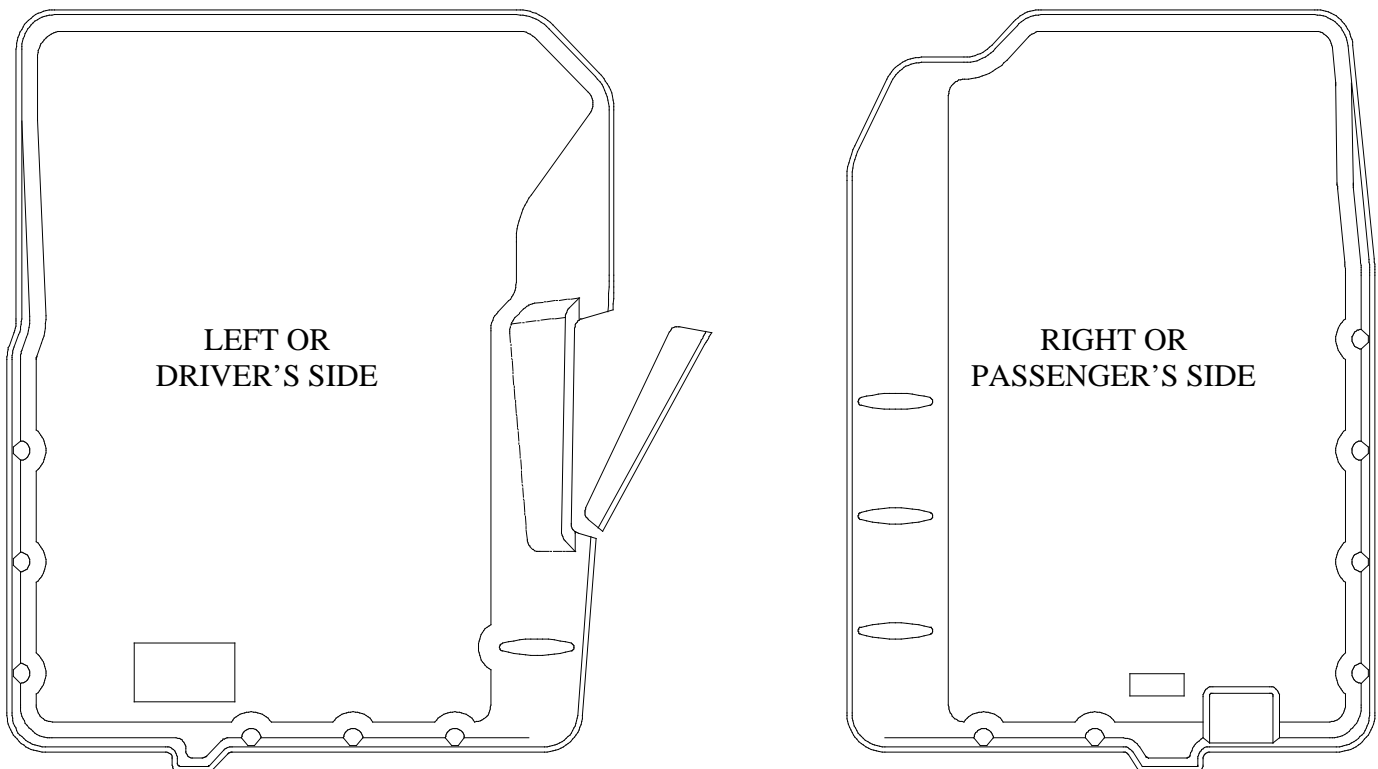
THANK YOU FOR SELECTING A HUSKY FLOOR LINER FROM WINFIELD CONSUMER PRODUCTS

CARE AND USE INSTRUCTIONS

Your new floor liner is custom molded to fit your particular vehicle. The liner is made to take the place of your factory floor mats. For correct fit, it is necessary to remove the factory floor mat before installing your new floor liner. *However, do not remove the factory-installed carpeting.*

Your liner is made from an engineering resin that is lightweight and extremely tough and durable. The easiest way to clean your liner is with a damp cloth or sponge. If using a cleaner, 409[®] or Glass Plus[®] work well. Use of Armor All[®], Son-of-a-Gun[®] or similar items is discouraged as these products make the liner slick.

INSTALLATION INSTRUCTIONS FOR YOUR CHEVROLET /GMC FULL SIZE TRUCK



IF YOUR VEHICLE IS EQUIPPED WITH A MANUAL TRANSFER CASE SHIFTER, YOU WILL NEED TO TRIM YOUR DRIVER'S SIDE LINER BEFORE INSTALLATION (SEE DIAGRAM ABOVE). USING A UTILITY KNIFE OR SCISSORS, CAREFULLY REMOVE THE RECESSED PORTION OF THE LINER WALL. ONCE TRIMMED, YOUR LINER WILL CONTOUR THE SHIFTER HOUSING