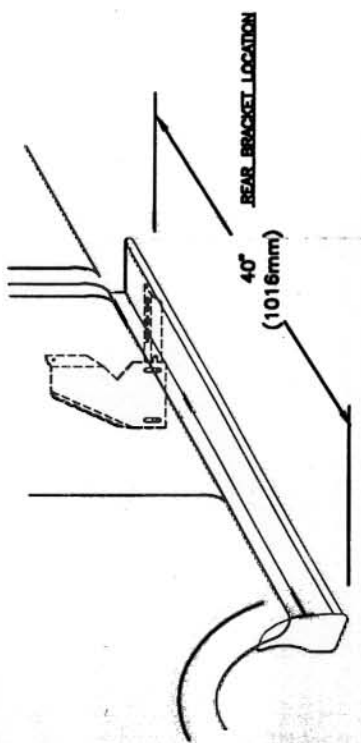
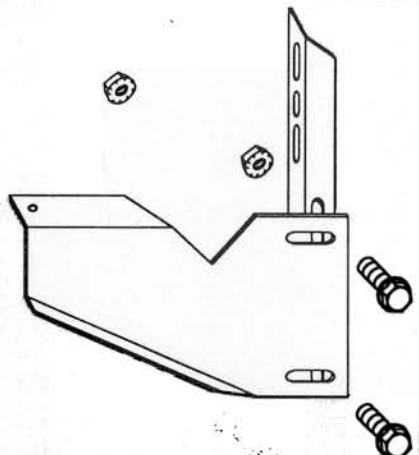


**TOOLS REQUIRED:** 5/16" DRILL • 1/2" HEX SOCKET • 1/2" WRENCH • 5/16" NUT DRIVER • 5/16" NUT DRIVER • 3/8" NUT DRIVER  
**YOUR BRACKET MOUNT HOLES WILL NEED TO BE DRILLED INTO THE BODY**

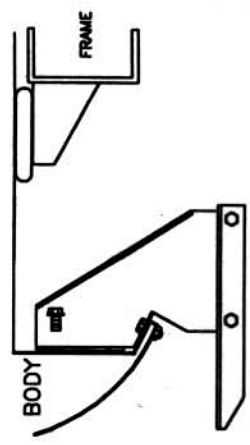


① MEASURE FROM FRONT WHEEL WELL TO BRACKET LOCATION  
 MARK THIS DIMENSION ON THE PINCH WELD  
 (DRIVERS SIDE SHOWN)

② BRACKET ASSEMBLY  
 ASSEMBLE WITH 5/16" BOLTS

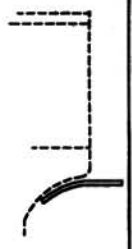


③ BRACKET ASSEMBLY MOUNT TO BODY  
 ASSEMBLE WITH 5/16" BOLTS AND  
 #14 SELF DRILLING TEK SCREW

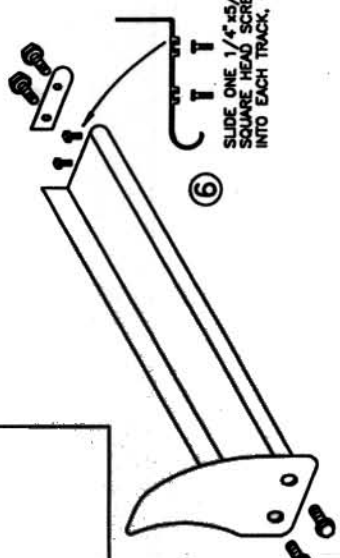


MOUNT AT LOCATION SHOWN AT ①

④ BEND STONE GUARD BY HAND AND  
 KNEE TO FIT THE WHEEL WELL  
 BEFORE INSTALLING TO RUNNING BOARD



⑦ INSTALL END CAP TO BOARD  
 WITH 3/8" SELF TAPPING BOLT

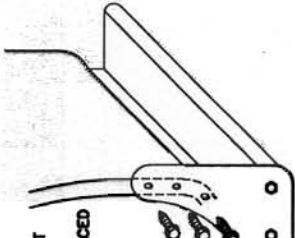


⑤ FASTEN FRONT STONE GUARD  
 TO BOARD WITH 3/8" SELF  
 TAPPING BOLT. BEND STONE  
 GUARD BY HAND AND KNEE  
 TO FIT THE WHEEL WELL

⑥ SLIDE ONE 1/4" x 5/8"  
 SQUARE HEAD SCREW  
 INTO EACH TRACK.

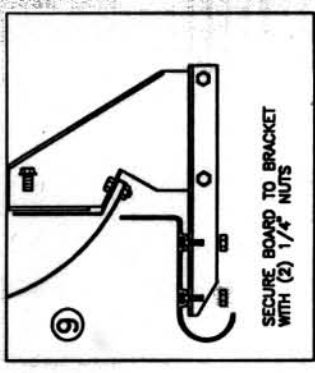
⑦ HOLD BOARD IN PLACE WITH THE  
 REAR RESTING ON THE BACK BRACKET

**NOTE:**  
 BE SURE THAT 1/4" BOLTS ARE PLACED  
 INTO THE BRACKET STEP SUPPORT



⑧ SCREW THROUGH STONE GUARD  
 INTO FENDERWELL LIP USING #14  
 BY 3/4" SELF DRILLING SCREWS.  
 MAKE SURE YOU DRILL INTO METAL.

3 PLACES AT EACH STONE GUARD



SECURE BOARD TO BRACKET  
 WITH (2) 1/4" NUTS

⑩ WITH BOARD LEVEL, TIGHTEN  
 ALL LOOSE BOLTS

⑪ REPEAT FOR OTHER SIDE

INSTALLATION PARTS LIST:	QTY.	DESCRIPTION
	1	RUNNING BOARD 1 DRIVER & 1 PASSENGER
	1	STONE GUARD 1 LEFT & 1 RIGHT
	8	3/8" x 1 SELF TAPPING SCREW
	8	#14x3/4" TEK SCREW
	4	1/4"x5/8" SQUARE HEAD SCREW
	4	1/4"-20 HEX NUT
	1	END CAP 1 LEFT & 1 RIGHT
	8	5/16" x 3/4" WASHER HEAD BOLT
	8	5/16"-18 HEX WASHER HEAD NUT
	2	FLAT BRACKET, FL07
	2	HORIZONTAL BRACKET, SUPPORT, 3124F

IN16  
 05/15/02