

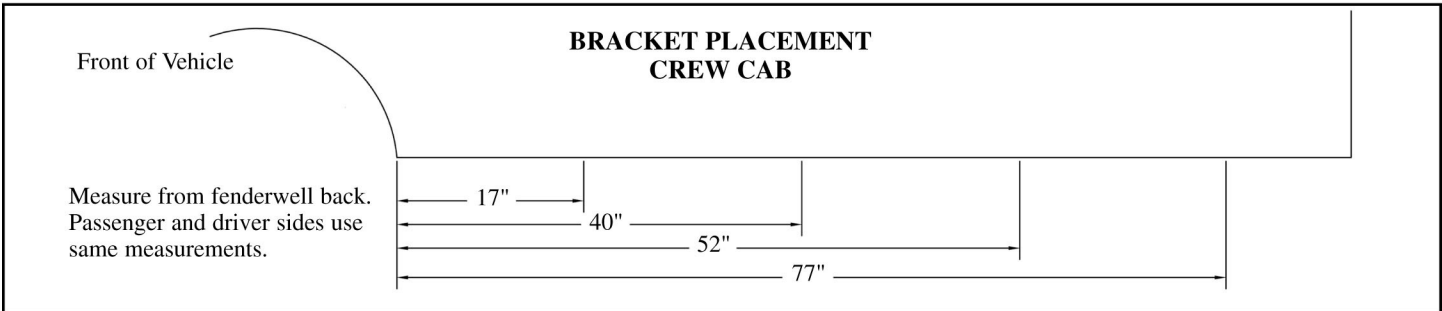
Installation Guide	Chevy/GMC Full Size Pickup	Product No.
2007 to Current	New Body Style	Crew Cab 67052

	<u>Qty.</u>	<u>Description</u>		<u>Qty.</u>	<u>Description</u>	
Installation Parts List:	A	2	Running Boards	E	26	5/16" x 3/4" Washer Head Bolts
	B	8	Channel Brackets	F	24	5/16" Washer Head Nuts
	C	2	Step Pads	G	2	Clip Nuts
	D	6	8mm Bolts	H	6	Shims
				I	2	5/16" x 1-1/2" Washer Head Bolts

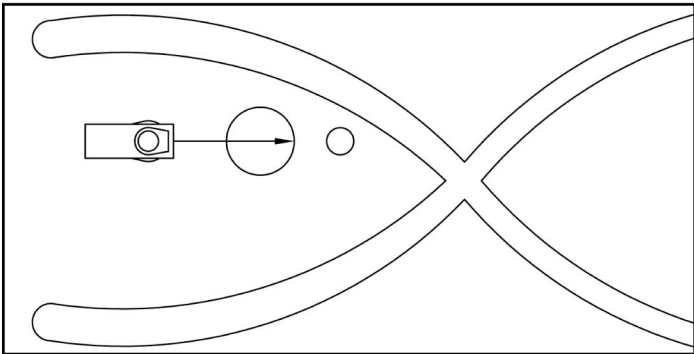
Tools Required: 1/2" Hex Socket • 1/2" Wrench • Tape Measure

NOTE: Painting of Premier boards is not necessary.

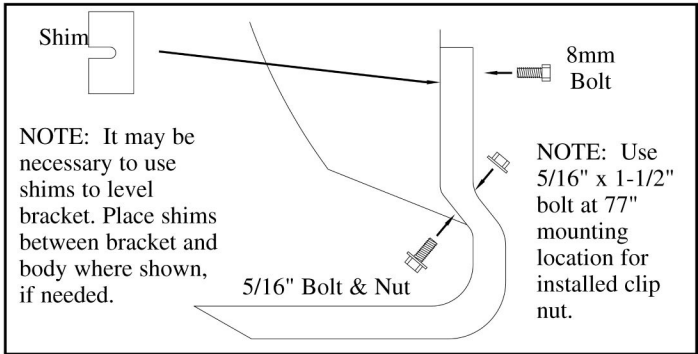
1. Painting your Owens' Premier running boards. To insure a proper paint finish, use a top quality auto paint system and follow the manufacturers instructions for painting ABS plastic.



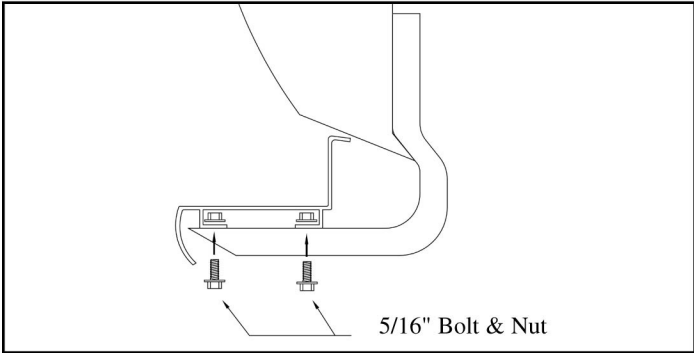
2. Measure from front wheel well, back to dimensions shown above. Mark these bracket location centers.



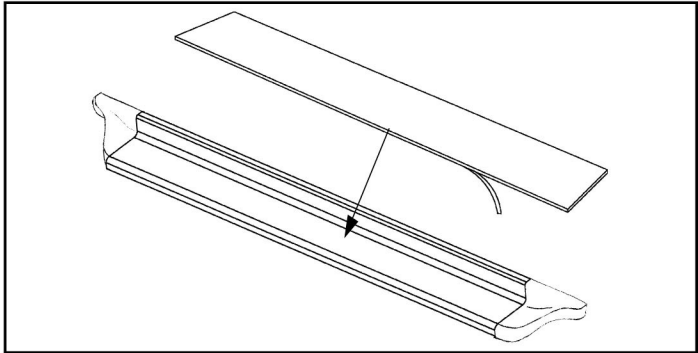
3. Remove plastic plug from under body at 77" location and install clip nut as shown.



4. Attach brackets to measured locations using 5/16" bolt and nut at factory pinchweld holes, and 8mm bolt into factory nut.



5. Position board on brackets. Use proper slot to center board under doors. Attach with 5/16" bolts and nuts.



6. Place step pad on running board. Peel off tape backing to secure. Install the Owens logo.