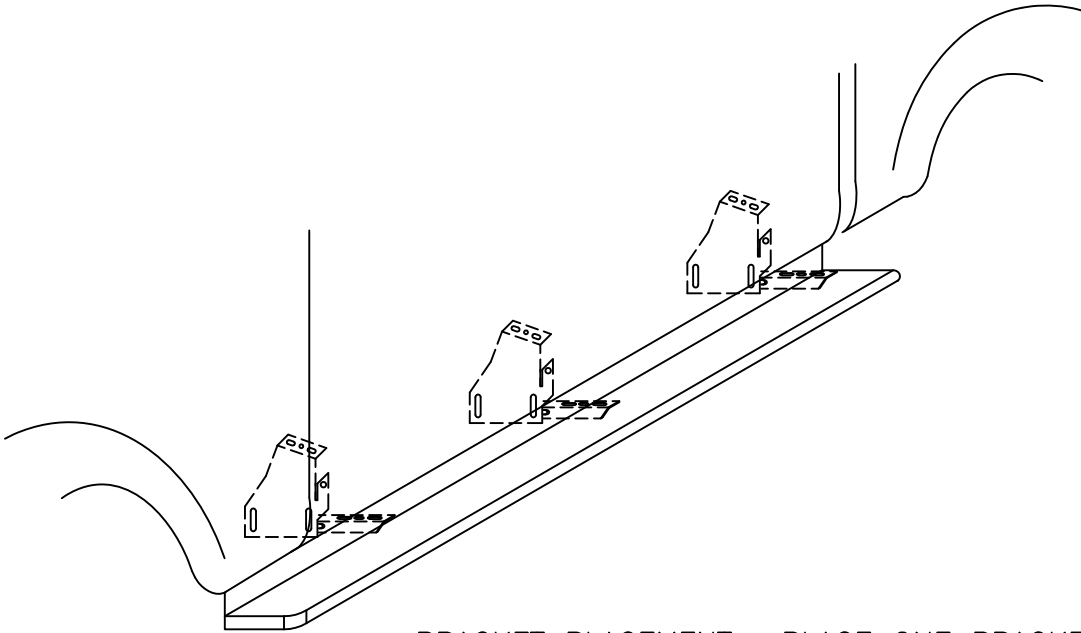


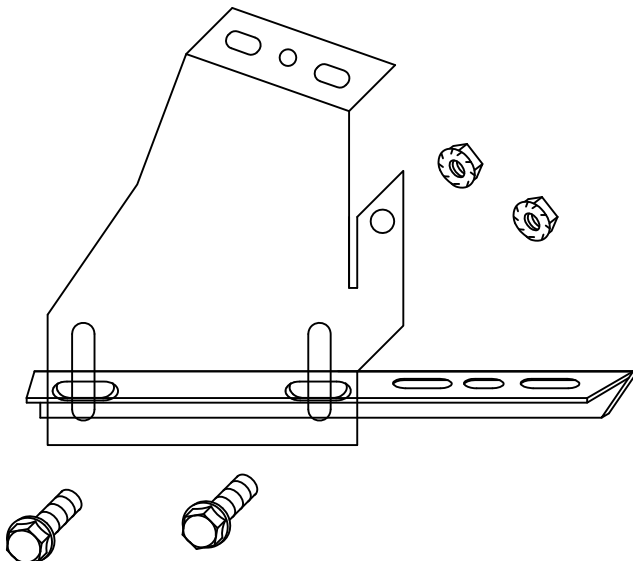
TOOLS REQUIRED: 5/16" DRILL \* 1/2" HEX SOCKET \* 1/2" WRENCH \* 5/16" NUT DRIVER \* 3/8" NUT DRIVER



BRACKET PLACEMENT: PLACE ONE BRACKET IN THE CENTER AND THE THE OTHER TWO BRACKETS EVENLY SPACED OUT TO SUPPORT THE BOARD.

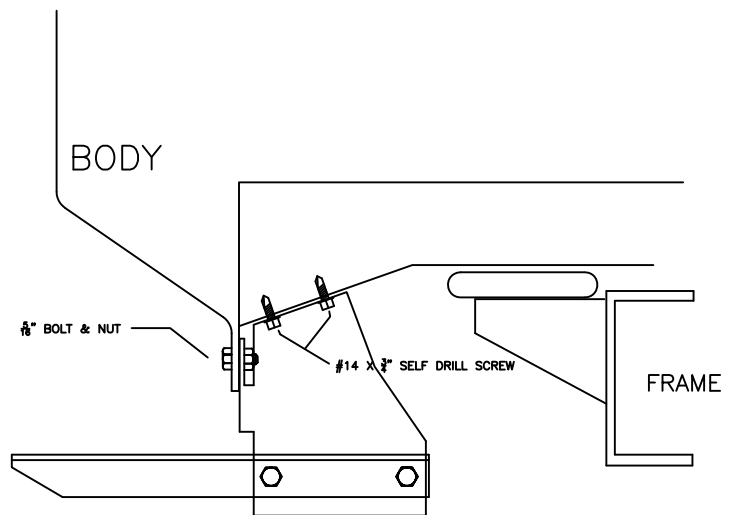
②

BRACKET ASSEMBLY  
ASSEMBLE WITH 5/16" BOLTS



③

DRILL A 5/16" HOLE IN PINCH WELD AT EACH LOCATION  
ATTACH WITH 5/16" BOLT & NUT IN PINCH WELD  
USE 3/4" LONG SELF DRILLING SCREW TO UNDER BODY  
PLACE THE BRACKET TO THE BACK SIDE OF THE PINCH WELD

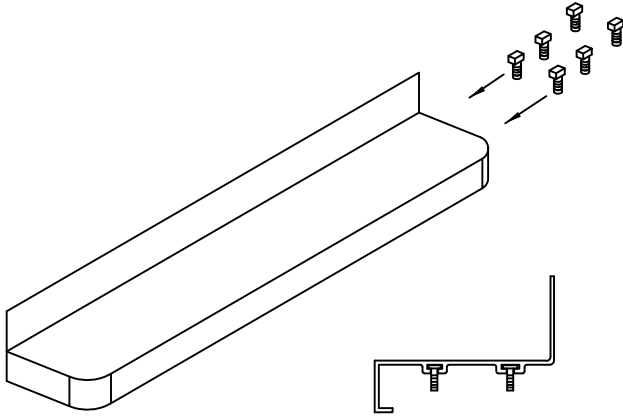


MOUNT AT LOCATION SHOWN AT

①A

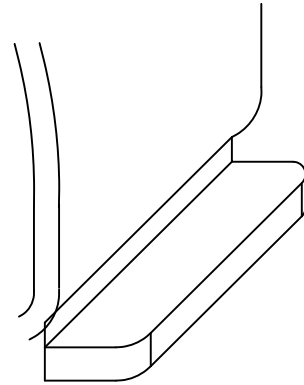
④

PROCEED TO STEP 7 IF PLASTIC BOARDS ARE TO BE INSTALLED.



SLIDE ONE 1/4" X 5/8" SQUARE HEAD SCREWS INTO EACH TRACK FOR EACH BRACKET.

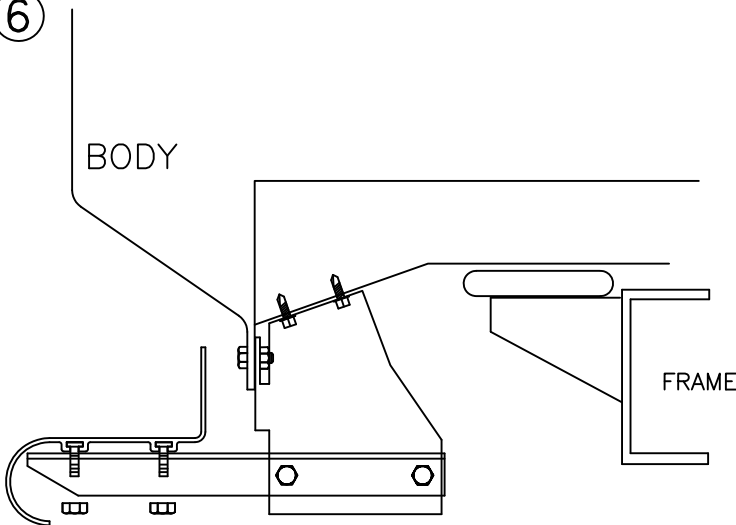
⑤



HOLD THE BOARD IN PLACE WITH IT RESTING ON THE BRACKETS.

BE SURE THAT THE 1/4" BOLTS ARE PLACED INTO THE SLOTS IN THE BRACKET STEP SUPPORT

⑥

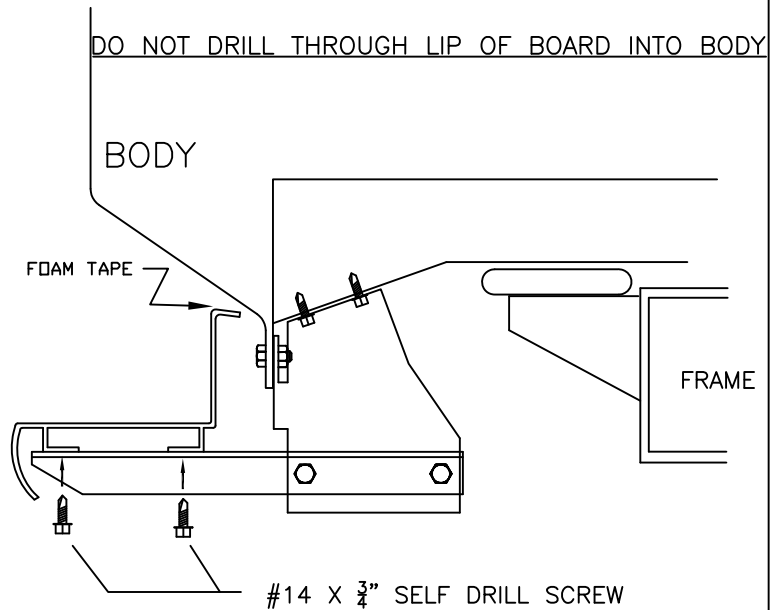


SECURE BOARD TO BRACKET WITH 1/4" NUTS

⑦

FOR PLASTIC BOARDS, APPLY FOAM TAPE AND STEP TREAD TO BOARD. ATTACH THE BOARD TO THE BRACKETS WITH SELF DRILLING SCREWS.

DO NOT DRILL THROUGH LIP OF BOARD INTO BODY



#14 X 3/4" SELF DRILL SCREW

⑧

WITH BOARD LEVEL TIGHTEN ANY LOOSE BOLTS

REPEAT FOR OTHER SIDE